

This clip was specially designed for use with hoses incorporating an outer helix. It is generally used when installing ventilation ducting or in white goods applications.

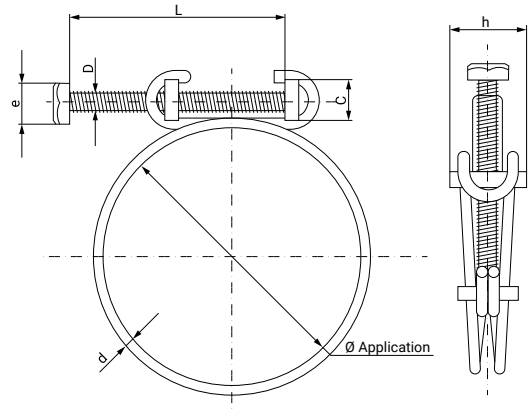
The double-wire construction of this clip means that it sits comfortably on either side of the helix and can then be clamped down firmly thanks to the screw-tightening system.

MATERIAL: Wire steel W1 B-UNI 3823
Grade 6.6 steel screw

FINISH: Zinc-plated Cr3

CORROSION RESISTANCE: 48 hours salt spray (ASTM B-117)

Part Number	Ø Application mm	Optimum application Ø mm	D	d	C	e	L	h mm	Box Quantity	Outer Box Quantity
03030015	9,5-12,0	9,5	M3	1,5	6	5,5	20	11,3	500	2.000
03030023	10,5-13,0	10,5	M3	1,5	6	5,5	20	11,3	500	2.000
03030031	11,5-14,0	11,5	M3	1,5	6	5,5	20	11,3	500	2.000
03030040	12,5-15,0	12,5	M3	1,5	6	5,5	20	11,3	500	2.000
03030058	14,0-16,0	14,0	M3	1,8	6	5,5	25	11,3	500	2.000
03030066	14,5-17,0	14,5	M3	1,8	6	5,5	25	11,3	500	4.000
03030074	16,0-18,0	16,0	M3	1,8	6	5,5	25	11,3	500	2.000
03030082	16,5-19,0	16,5	M3	1,8	6	5,5	25	11,3	500	2.000
03030090	18,0-20,0	18,0	M3	1,8	6	5,5	25	11,3	500	2.000
03030103	18,5-21,0	18,5	M3	1,8	6	5,5	25	11,3	500	500
03030111	18,5-22,0	18,5	M3	2,0	7	7,0	30	14,3	500	500
03030120	19,0-23,0	19,0	M4	2,0	7	7,0	30	14,3	500	500
03030138	20,0-24,0	20,0	M4	2,0	7	7,0	30	14,3	500	500
03030146	21,5-25,0	21,5	M4	2,2	7	7,0	30	14,3	500	500
03030154	23,5-27,0	23,5	M4	2,2	7	7,0	30	14,3	500	500
03030162	25,0-29,0	25,0	M4	2,2	7	7,0	30	14,3	200	800
03030170	27,0-31,0	27,0	M4	2,2	7	7,0	30	14,3	200	200



Part Number	Ø Application mm	Optimum application Ø mm	D	d	C	e	L	h mm	Box Quantity	Outer Box Quantity
03030189	29,0-33,0	29,0	M4	2,2	7	7,0	30	14,3	200	800
03030197	30,5-35,0	30,5	M4	2,2	7	7,0	30	14,3	200	200
03030200	33,0-37,0	33,0	M4	2,2	7	7,0	30	14,3	200	1.600
03030218	35,5-40,0	35,5	M4	2,2	7	7,0	30	14,3	200	1.600
03030226	38,5-43,0	38,5	M4	2,2	7	7,0	30	14,3	200	200
03030234	41,0-46,0	41,0	M5	2,5	8	8,0	40	15,3	200	200
03030242	43,5-49,0	43,5	M5	2,5	8	8,0	40	15,3	200	200
03030250	46,5-53,0	46,5	M5	2,5	8	8,0	40	15,3	200	200
03030269	50,5-56,0	50,5	M5	2,5	8	8,0	40	15,3	100	200
03030277	53,5-60,0	53,5	M5	2,5	8	8,0	40	15,3	100	100
03030285	56,5-64,0	56,5	M6	2,8	10	10,0	50	18,6	100	100
03030293	60,0-68,0	60,0	M6	2,8	10	10,0	50	18,6	100	100
03030306	64,0-72,0	64,0	M6	2,8	10	10,0	50	18,6	100	100
03030314	68,5-76,0	68,5	M6	3,0	10	10,0	50	18,6	100	100
03030322	72,5-80,0	72,5	M6	3,0	10	10,0	50	18,6	100	100
03030330	76,5-84,0	76,5	M6	3,0	10	10,0	50	18,6	100	100